



Installation instructions for PZ4AL-02934-00, PZ4AL-02935-00
Under Run Protective Shield Transmission Case

TOYOTA Hilux



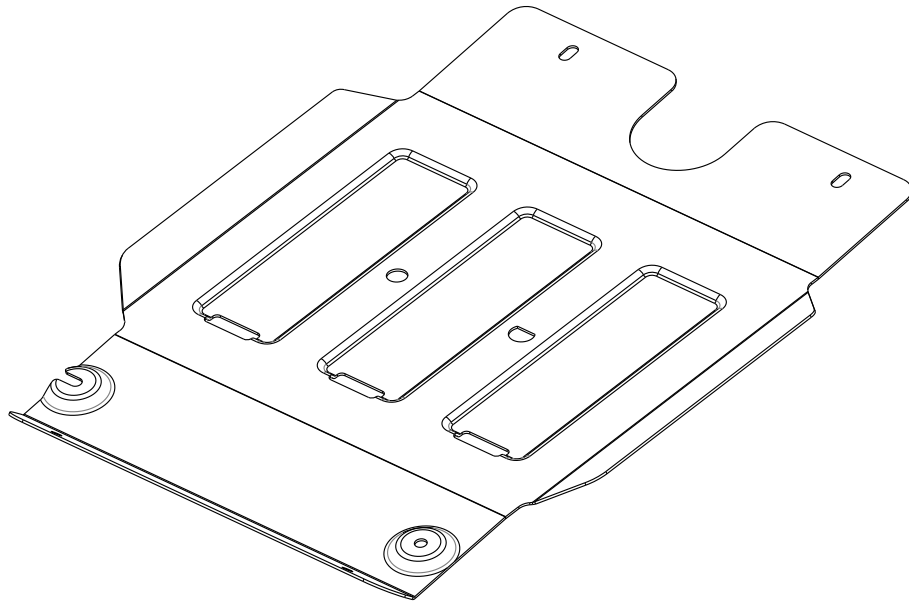
TOYOTA Fortuner



	Hilux	Fortuner
Model year:	2015-	2017-
Applicability:	GUN125L-DTFSHW; GUN125L-DTFMHW GUN126L-DTTMHW; GUN126L-DTTHHW	GUN156L-STTMH GUN156L-STTSH TGN156L-STTSKK TGN156L-STMLKK
Part Number:		Steel: PZ4AL-02934-00 Aluminium: PZ4AL-02935-00
 Weight:		Steel: 7.95 kg Aluminium: 4.46 kg
 Installation Time:		15 min

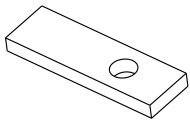
PZ4AL-02934-00, PZ4AL-02935-00

A



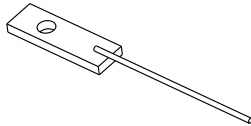
PZ4AL-02934-60

B



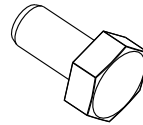
1x

C



1x

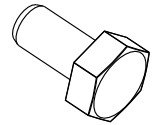
D1



M8x30

2x

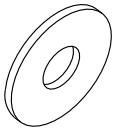
D2



M10x30

2x

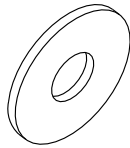
E1



d=8

2x

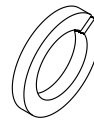
E2



d=10

2x

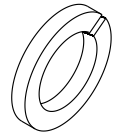
F1



d=8

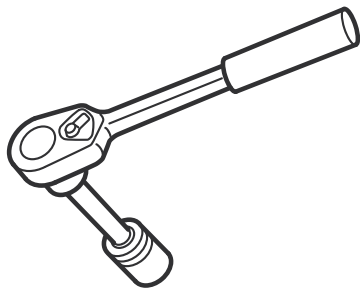
2x

F2



d=10

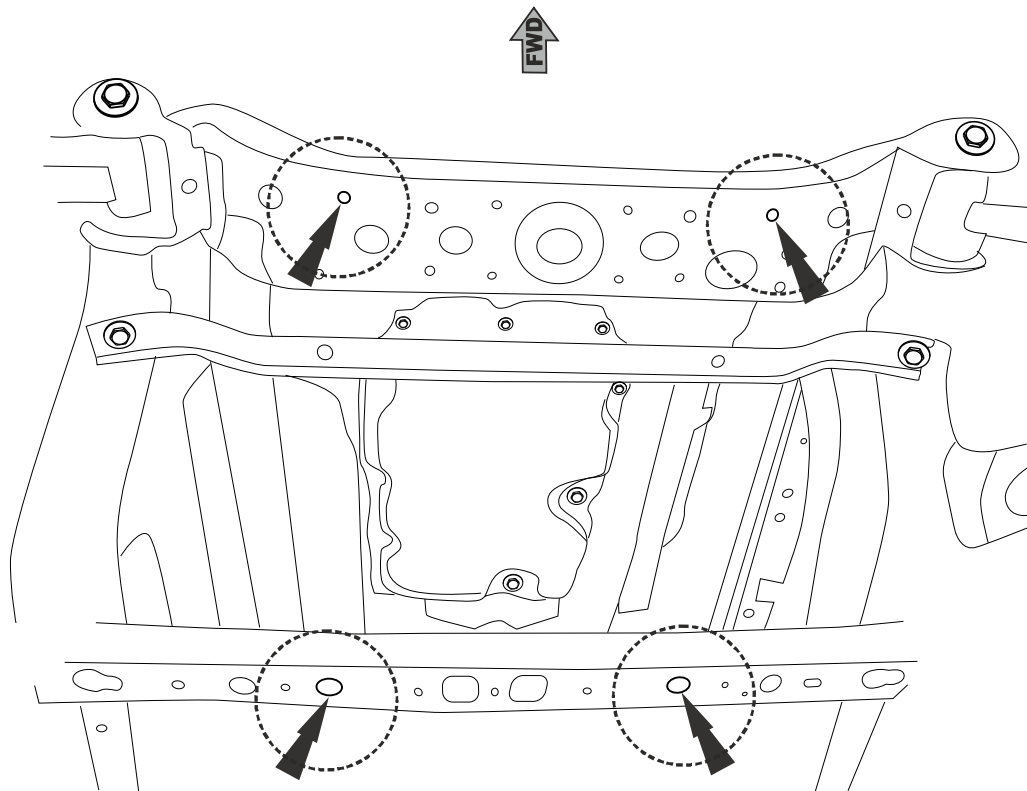
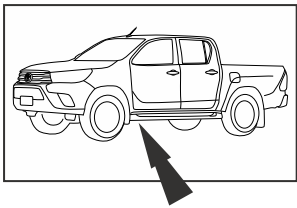
2x



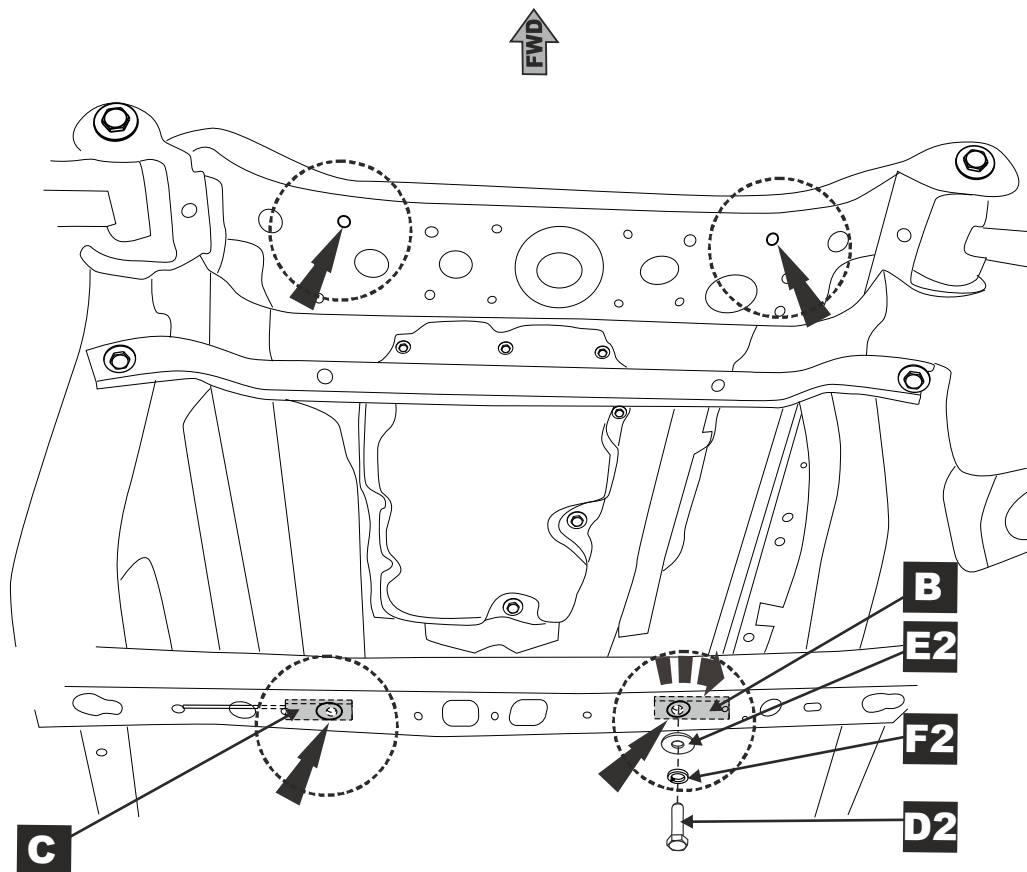
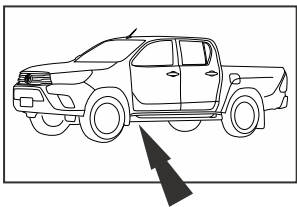
13 mm
17 mm



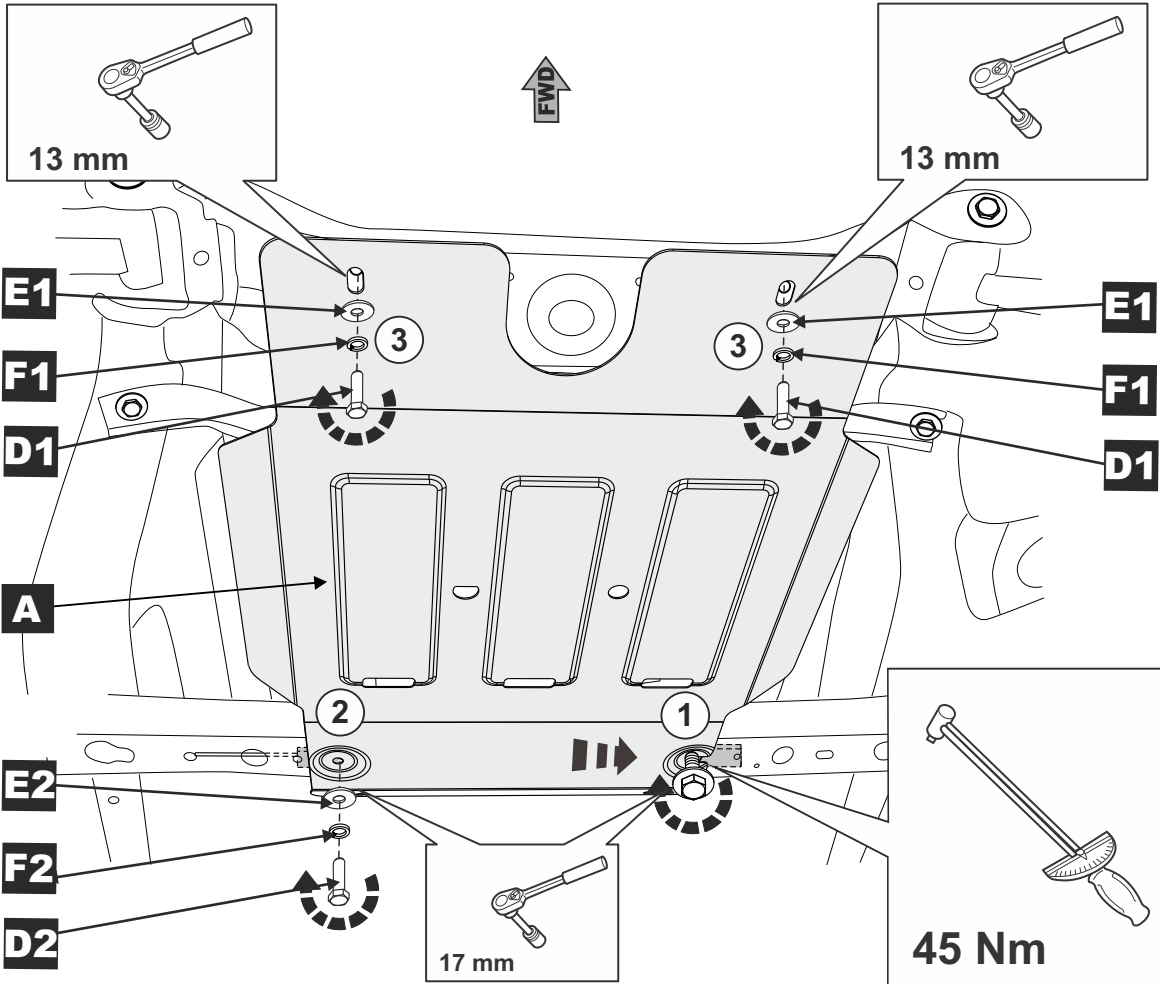
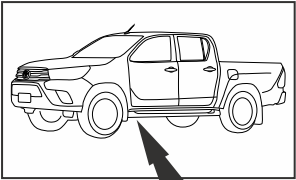
1



2



3



4

